

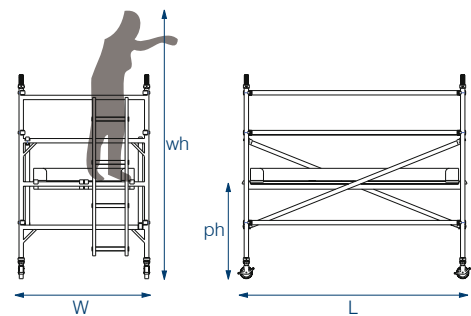
Single Width Tower  
2.5m Long x 0.85m wide

Working Height  
3.2m

Platform Height  
1.2m

### Tower Components

Item	Description	Quantity
1	150mm Locking Castor	4
2	Adjustable Leg 500mm	4
3	4 rung 1m Frame	0
4	6 rung 1.5m Frame	0
5	8 rung 2m Frame	2
6	2.5m Trapdoor Platform	1
7	2.5m Horizontal Brace	6
8	2.7m Diagonal Brace	2
9	Complete Toe Board Set	1
10	Standard Stabilisers	0
11	Jumbo Stabilisers	0
12	Instruction Manual & BSEN1004 certificate of conformity	1



### Technical Information

Base Dimensions:	(L)2.5m X (W)0.85m
Maximum Platform Height (ph):	1.2m
Maximum Working Height (wh):	3.2m
Maximum Working Load Per Platform:	275kg
Maximum Working Load Per Tower: (including tower weight)	950kg
Weight:	83kg

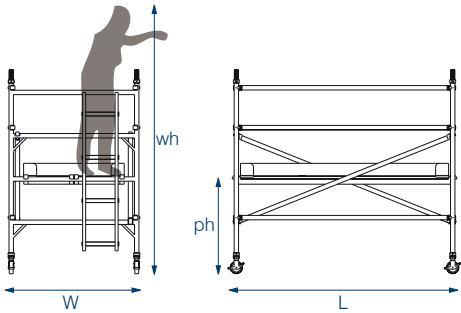
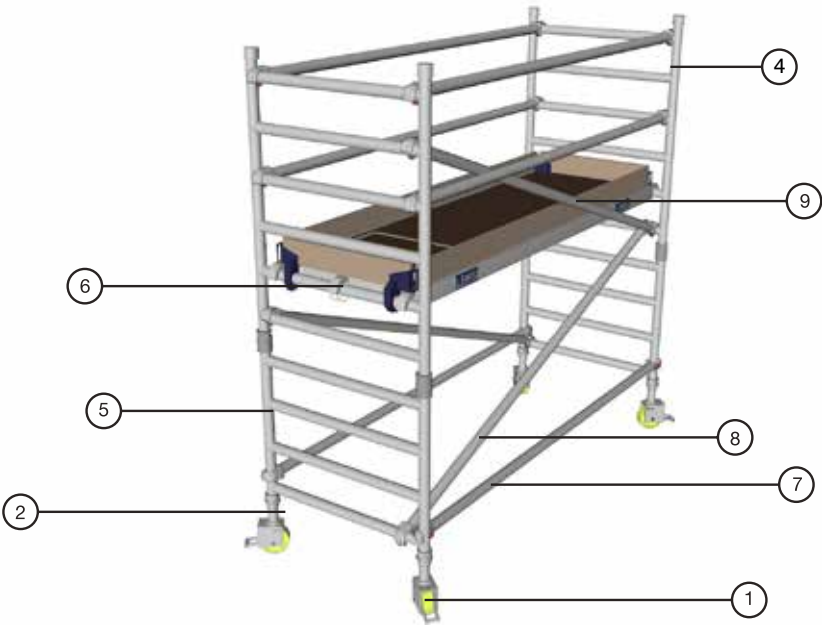
**Single Width Tower**  
2.5m Long x 0.85m wide

**Working Height**  
3.7m

**Platform Height**  
1.7m

### Tower Components

Item	Description	Quantity
1	150mm Locking Castor	4
2	Adjustable Leg 500mm	4
3	4 rung 1m Frame	2
4	6 rung 1.5m Frame	2
5	8 rung 2m Frame	0
6	2.5m Trapdoor Platform	1
7	2.5m Horizontal Brace	6
8	2.7m Diagonal Brace	3
9	Complete Toe Board Set	1
10	Standard Stabilisers	0
11	Jumbo Stabilisers	0
12	Instruction Manual & BSEN1004 certificate of conformity	1



### Technical Information

Base Dimensions:	(L)2.5m X (W)0.85m
Maximum Platform Height (ph):	1.7m
Maximum Working Height (wh):	3.7m
Maximum Working Load Per Platform:	275kg
Maximum Working Load Per Tower: (including tower weight)	950kg
Weight:	86kg

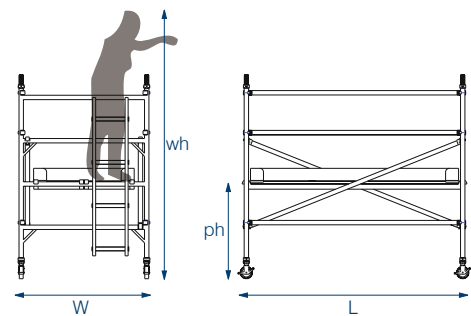
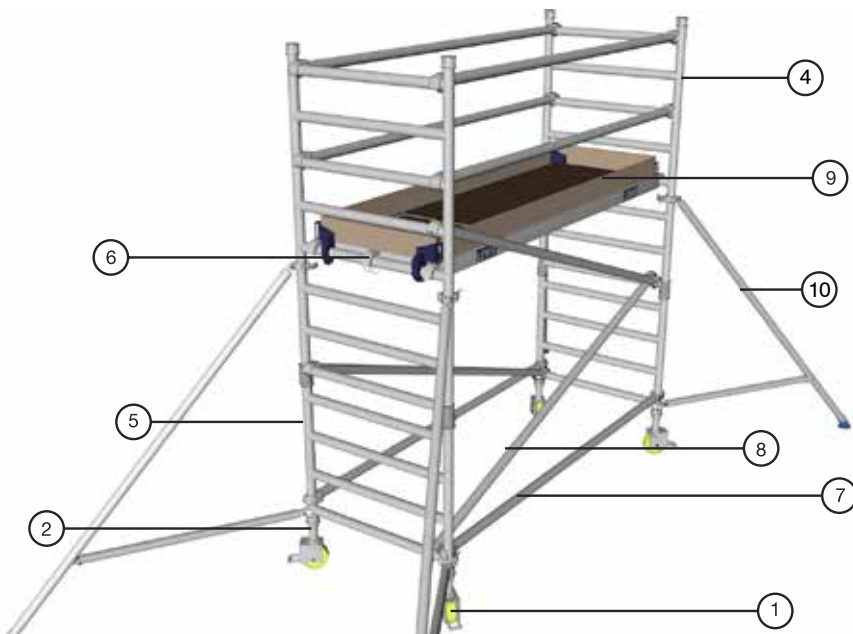
Single Width Tower  
2.5m Long x 0.85m wide

Working Height  
4.2m

Platform Height  
2.2m

### Tower Components

Item	Description	Quantity
1	150mm Locking Castor	4
2	Adjustable Leg 500mm	4
3	4 rung 1m Frame	2
4	6 rung 1.5m Frame	0
5	8 rung 2m Frame	2
6	2.5m Trapdoor Platform	1
7	2.5m Horizontal Brace	6
8	2.7m Diagonal Brace	3
9	Complete Toe Board Set	1
10	Standard Stabilisers	4
11	Jumbo Stabilisers	0
12	Instruction Manual & BSEN1004 certificate of conformity	1



### Technical Information

Base Dimensions:	(L)2.5m X (W)0.85m
Maximum Platform Height (ph):	2.2m
Maximum Working Height (wh):	4.2m
Maximum Working Load Per Platform:	275kg
Maximum Working Load Per Tower: (including tower weight)	950kg
Weight:	110kg

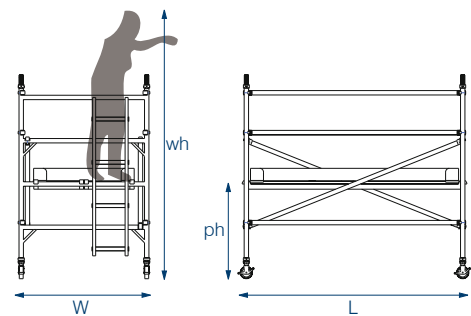
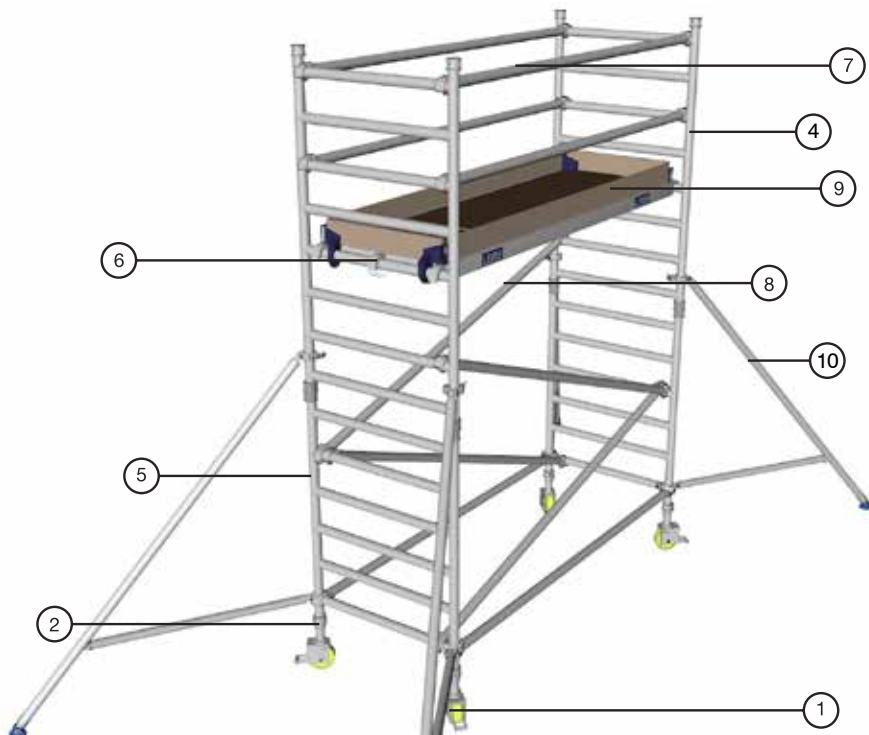
Single Width Tower  
2.5m Long x 0.85m wide

Working Height  
4.7m

Platform Height  
2.7m

### Tower Components

Item	Description	Quantity
1	150mm Locking Castor	4
2	Adjustable Leg 500mm	4
3	4 rung 1m Frame	0
4	6 rung 1.5m Frame	2
5	8 rung 2m Frame	2
6	2.5m Trapdoor Platform	1
7	2.5m Horizontal Brace	6
8	2.7m Diagonal Brace	4
9	Complete Toe Board Set	1
10	Standard Stabilisers	4
11	Jumbo Stabilisers	0
12	Instruction Manual & BSEN1004 certificate of conformity	1



### Technical Information

Base Dimensions:	(L)2.5m X (W)0.85m
Maximum Platform Height (ph):	2.7m
Maximum Working Height (wh):	4.7m
Maximum Working Load Per Platform:	275kg
Maximum Working Load Per Tower: (including tower weight)	950kg
Weight:	117kg

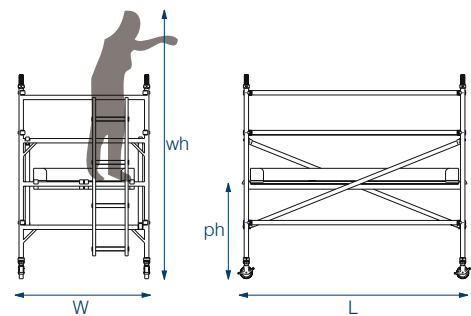
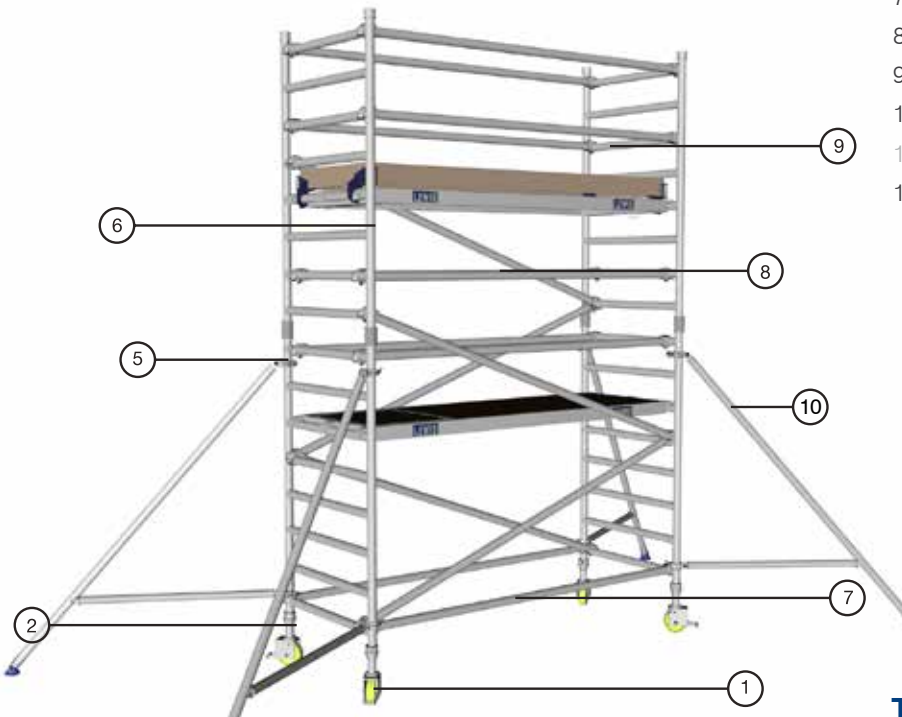
Single Width Tower  
2.5m Long x 0.85m wide

Working Height  
5.2m

Platform Height  
3.2m

### Tower Components

Item	Description	Quantity
1	150mm Locking Castor	4
2	Adjustable Leg 500mm	4
3	4 rung 1m Frame	0
4	6 rung 1.5m Frame	0
5	8 rung 2m Frame	4
6	2.5m Trapdoor Platform	1
7	2.5m Horizontal Brace	10
8	2.7m Diagonal Brace	5
9	Complete Toe Board Set	1
10	Standard Stabilisers	4
11	Jumbo Stabilisers	0
12	Instruction Manual & BSEN1004 certificate of conformity	1



### Technical Information

Base Dimensions:	(L)2.5m X (W)0.85m
Maximum Platform Height (ph):	3.2m
Maximum Working Height (wh):	5.2m
Maximum Working Load Per Platform:	275kg
Maximum Working Load Per Tower: (including tower weight)	950kg
Weight:	153kg



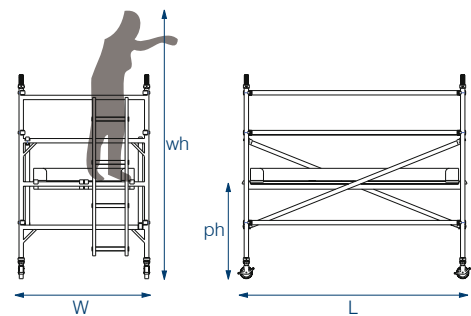
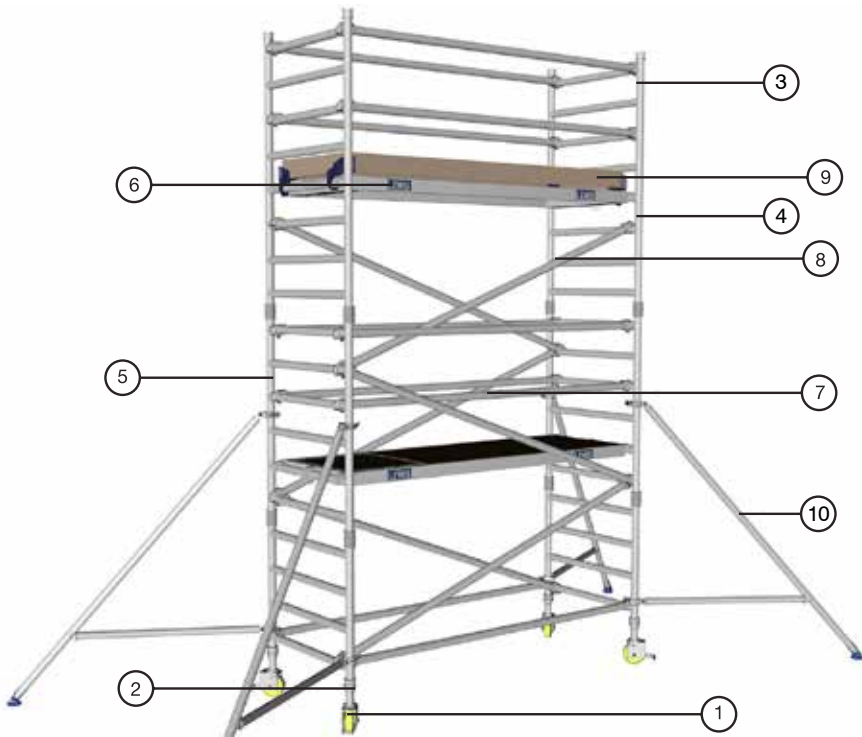
Single Width Tower  
2.5m Long x 0.85m wide

Working Height  
5.7m

Platform Height  
3.7m

### Tower Components

Item	Description	Quantity
1	150mm Locking Castor	4
2	Adjustable Leg 500mm	4
3	4 rung 1m Frame	2
4	6 rung 1.5m Frame	2
5	8 rung 2m Frame	2
6	2.5m Trapdoor Platform	1
7	2.5m Horizontal Brace	10
8	2.7m Diagonal Brace	6
9	Complete Toe Board Set	1
10	Standard Stabilisers	4
11	Jumbo Stabilisers	0
12	Instruction Manual & BSEN1004 certificate of conformity	1



### Technical Information

Base Dimensions:	(L)2.5m X (W)0.85m
Maximum Platform Height (ph):	3.7m
Maximum Working Height (wh):	5.7m
Maximum Working Load Per Platform:	275kg
Maximum Working Load Per Tower: (including tower weight)	950kg
Weight:	163kg

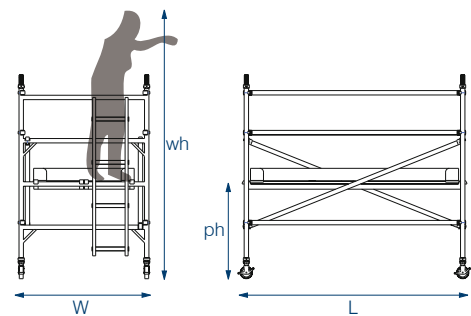
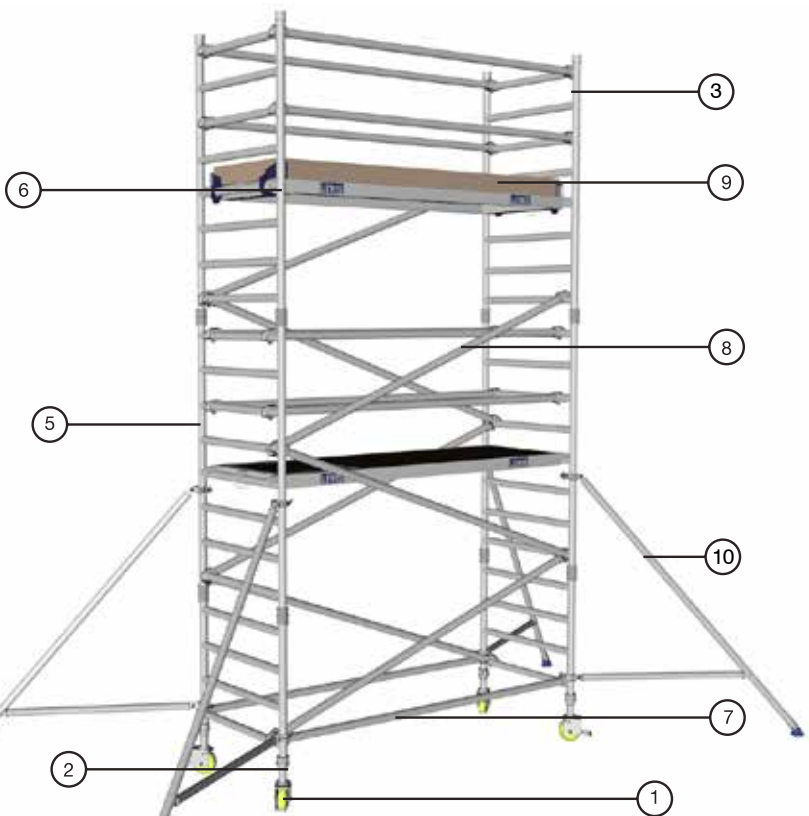
Single Width Tower  
2.5m Long x 0.85m wide

Working Height  
6.2m

Platform Height  
4.2m

### Tower Components

Item	Description	Quantity
1	150mm Locking Castor	4
2	Adjustable Leg 500mm	4
3	4 rung 1m Frame	2
4	6 rung 1.5m Frame	0
5	8 rung 2m Frame	4
6	2.5m Trapdoor Platform	2
7	2.5m Horizontal Brace	10
8	2.7m Diagonal Brace	7
9	Complete Toe Board Set	1
10	Standard Stabilisers	4
11	Jumbo Stabilisers	0
12	Instruction Manual & BSEN1004 certificate of conformity	1



### Technical Information

Base Dimensions:	(L)2.5m X (W)0.85m
Maximum Platform Height (ph):	4.2m
Maximum Working Height (wh):	6.2m
Maximum Working Load Per Platform:	275kg
Maximum Working Load Per Tower: (including tower weight)	950kg
Weight:	168kg

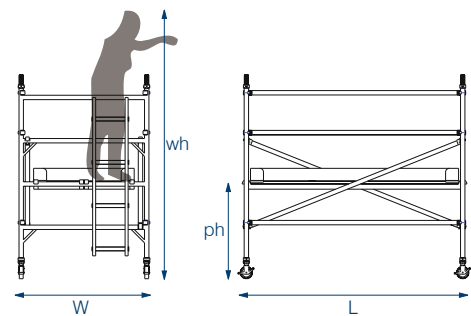
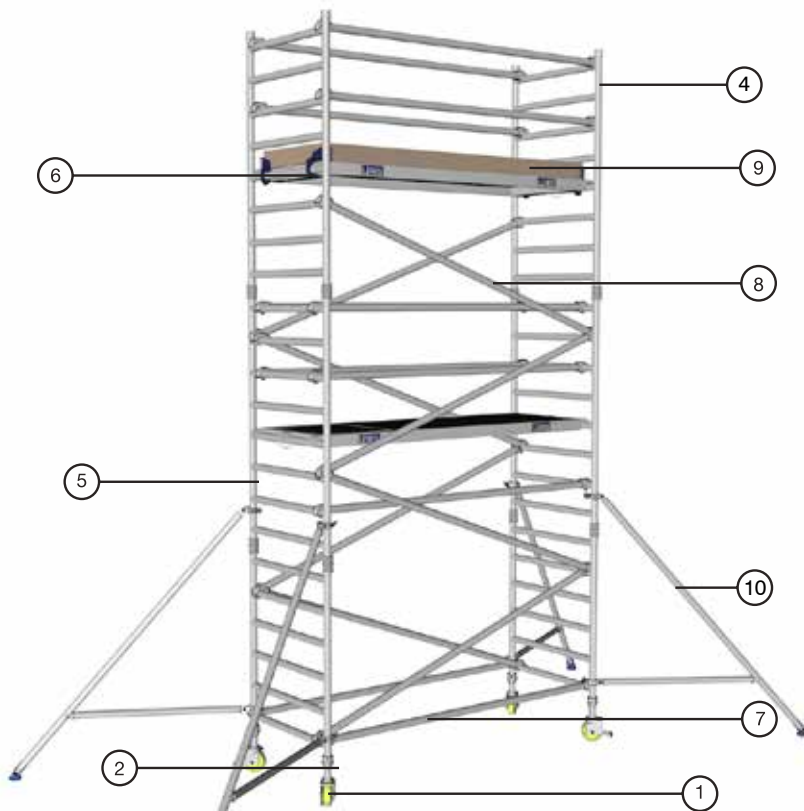
Single Width Tower  
2.5m Long x 0.85m wide

Working Height  
6.7m

Platform Height  
4.7m

### Tower Components

Item	Description	Quantity
1	150mm Locking Castor	4
2	Adjustable Leg 500mm	4
3	4 rung 1m Frame	0
4	6 rung 1.5m Frame	2
5	8 rung 2m Frame	4
6	2.5m Trapdoor Platform	2
7	2.5m Horizontal Brace	10
8	2.7m Diagonal Brace	7
9	Complete Toe Board Set	1
10	Standard Stabilisers	4
11	Jumbo Stabilisers	0
12	Instruction Manual & BSEN1004 certificate of conformity	1



### Technical Information

Base Dimensions:	(L)2.5m X (W)0.85m
Maximum Platform Height (ph):	4.7m
Maximum Working Height (wh):	6.7m
Maximum Working Load Per Platform:	275kg
Maximum Working Load Per Tower: (including tower weight)	950kg
Weight:	177kg



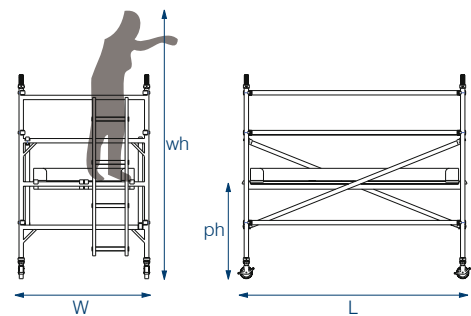
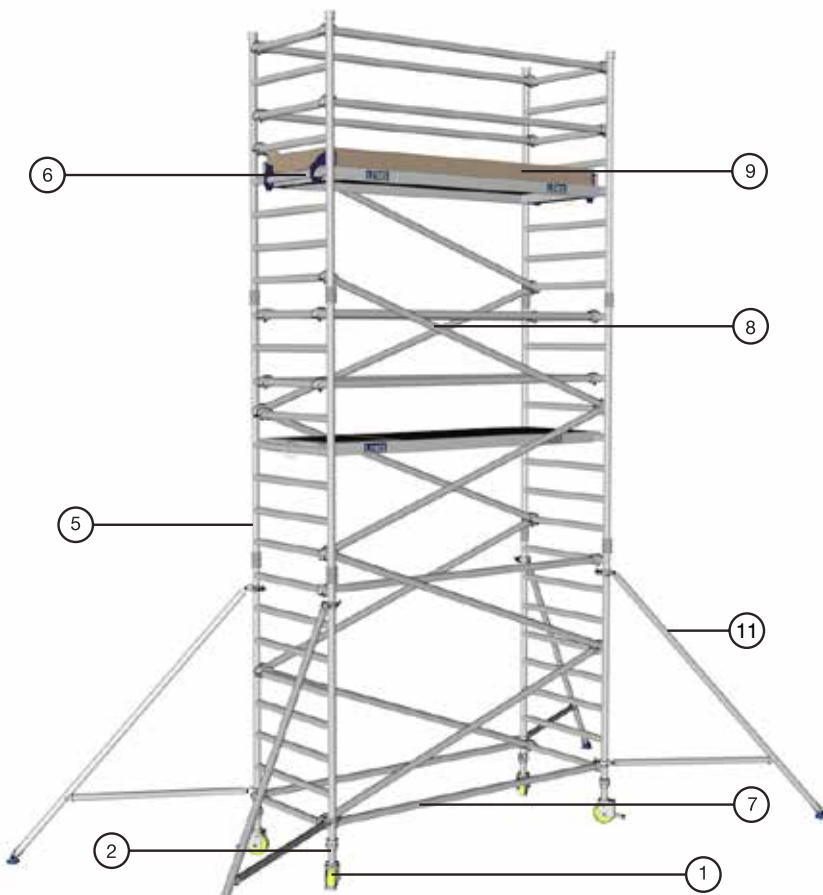
Single Width Tower  
2.5m Long x 0.85m wide

Working Height  
7.2m

Platform Height  
5.2m

### Tower Components

Item	Description	Quantity
1	150mm Locking Castor	4
2	Adjustable Leg 500mm	4
3	4 rung 1m Frame	0
4	6 rung 1.5m Frame	0
5	8 rung 2m Frame	6
6	2.5m Trapdoor Platform	2
7	2.5m Horizontal Brace	10
8	2.7m Diagonal Brace	9
9	Complete Toe Board Set	1
10	Standard Stabilisers	0
11	Jumbo Stabilisers	4
12	Instruction Manual & BSEN1004 certificate of conformity	1



### Technical Information

Base Dimensions:	(L)2.5m X (W)0.85m
Maximum Platform Height (ph):	5.2m
Maximum Working Height (wh):	7.2m
Maximum Working Load Per Platform:	275kg
Maximum Working Load Per Tower: (including tower weight)	950kg
Weight:	184kg

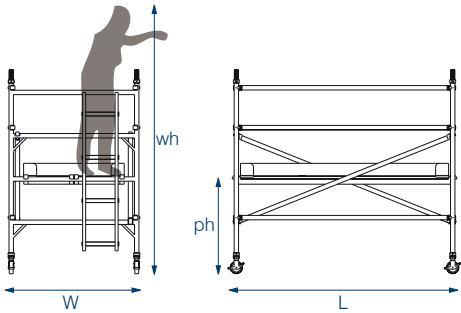
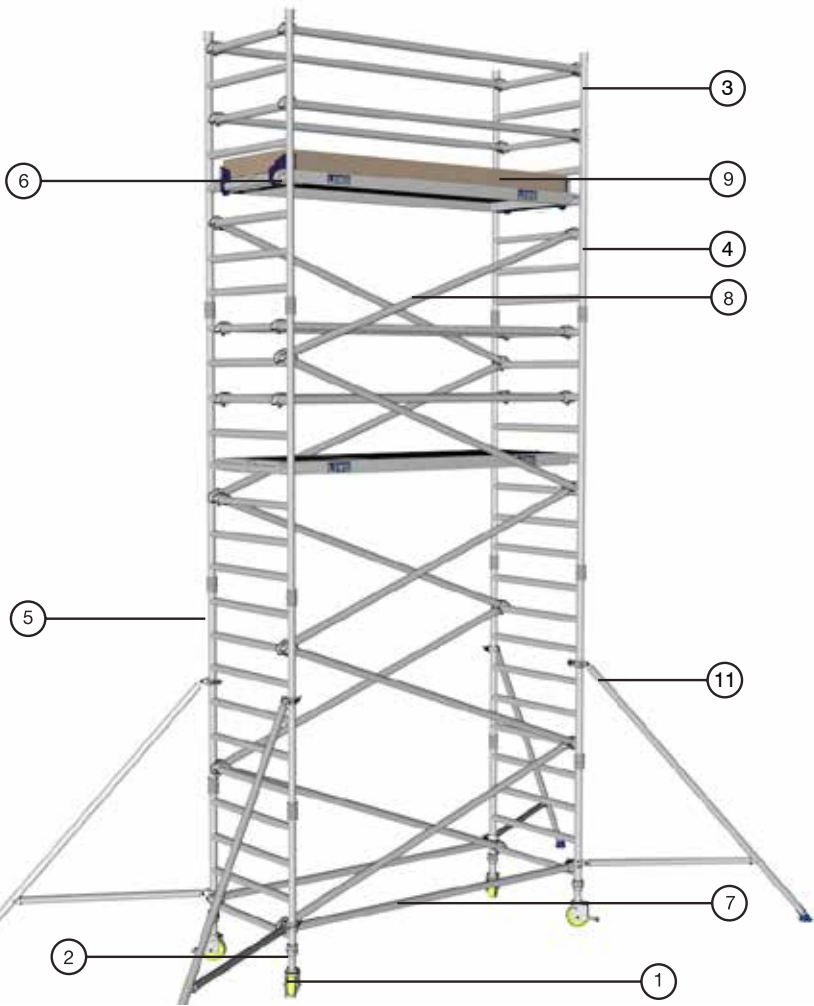
**Single Width Tower**  
2.5m Long x 0.85m wide

**Working Height**  
7.7m

**Platform Height**  
5.7m

### Tower Components

Item	Description	Quantity
1	150mm Locking Castor	4
2	Adjustable Leg 500mm	4
3	4 rung 1m Frame	2
4	6 rung 1.5m Frame	2
5	8 rung 2m Frame	4
6	2.5m Trapdoor Platform	2
7	2.5m Horizontal Brace	10
8	2.7m Diagonal Brace	10
9	Complete Toe Board Set	1
10	Standard Stabilisers	0
11	Jumbo Stabilisers	4
12	Instruction Manual & BSEN1004 certificate of conformity	1



### Technical Information

Base Dimensions:	(L)2.5m X (W)0.85m
Maximum Platform Height (ph):	5.7m
Maximum Working Height (wh):	7.7m
Maximum Working Load Per Platform:	275kg
Maximum Working Load Per Tower: (including tower weight)	950kg
Weight:	194kg

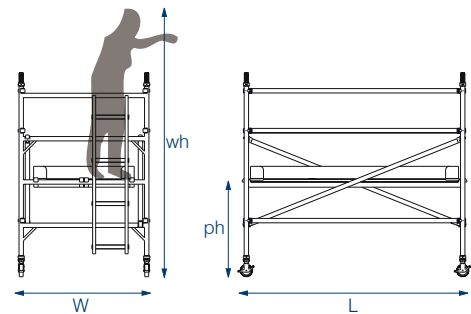
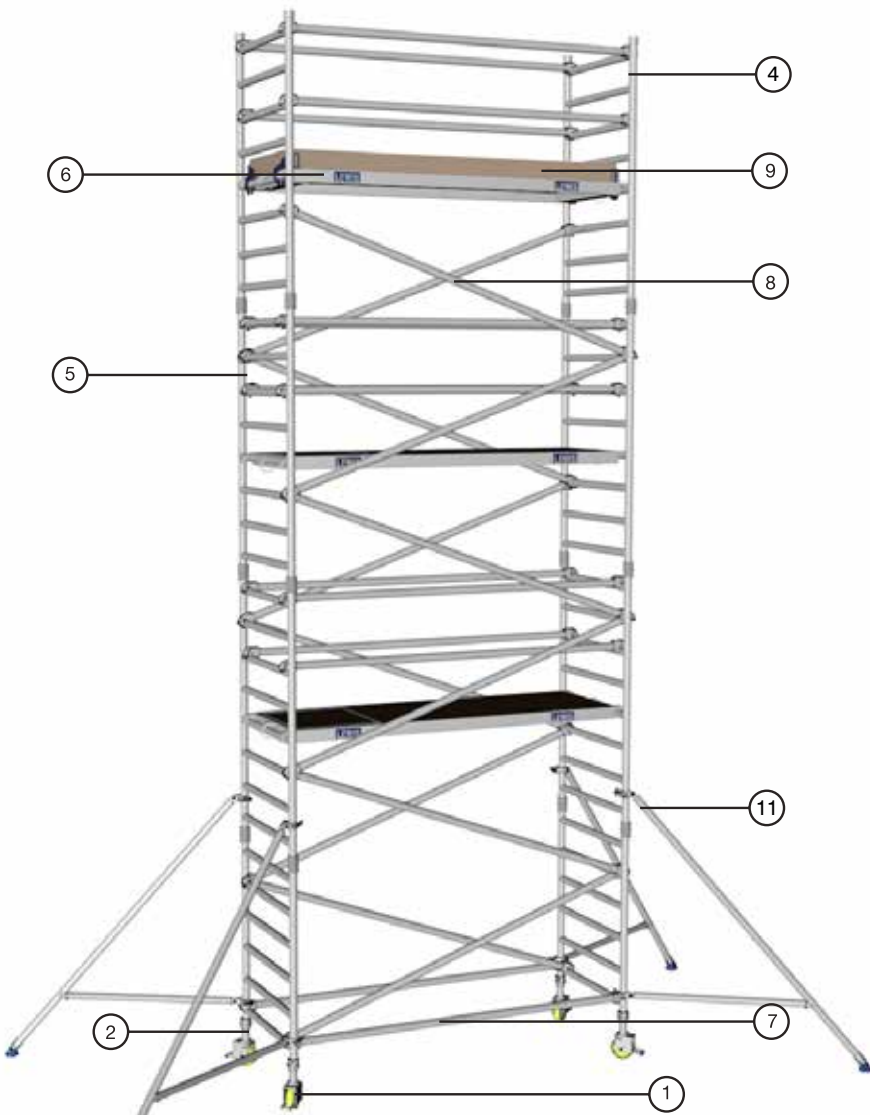
Single Width Tower  
2.5m Long x 0.85m wide

Working Height  
8.2m

Platform Height  
6.2m

### Tower Components

Item	Description	Quantity
1	150mm Locking Castor	4
2	Adjustable Leg 500mm	4
3	4 rung 1m Frame	2
4	6 rung 1.5m Frame	0
5	8 rung 2m Frame	6
6	2.5m Trapdoor Platform	2
7	2.5m Horizontal Brace	10
8	2.7m Diagonal Brace	11
9	Complete Toe Board Set	1
10	Standard Stabilisers	0
11	Jumbo Stabilisers	4
12	Instruction Manual & BSEN1004 certificate of conformity	1



### Technical Information

Base Dimensions:	(L)2.5m X (W)0.85m
Maximum Platform Height (ph):	6.2m
Maximum Working Height (wh):	8.2m
Maximum Working Load Per Platform:	275kg
Maximum Working Load Per Tower: (including tower weight)	950kg
Weight:	198kg

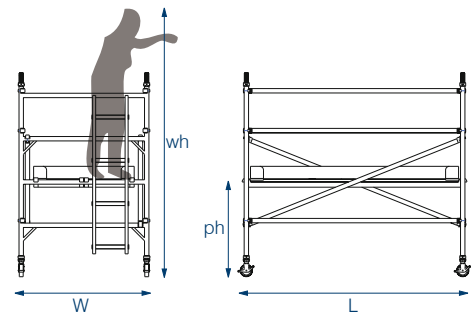
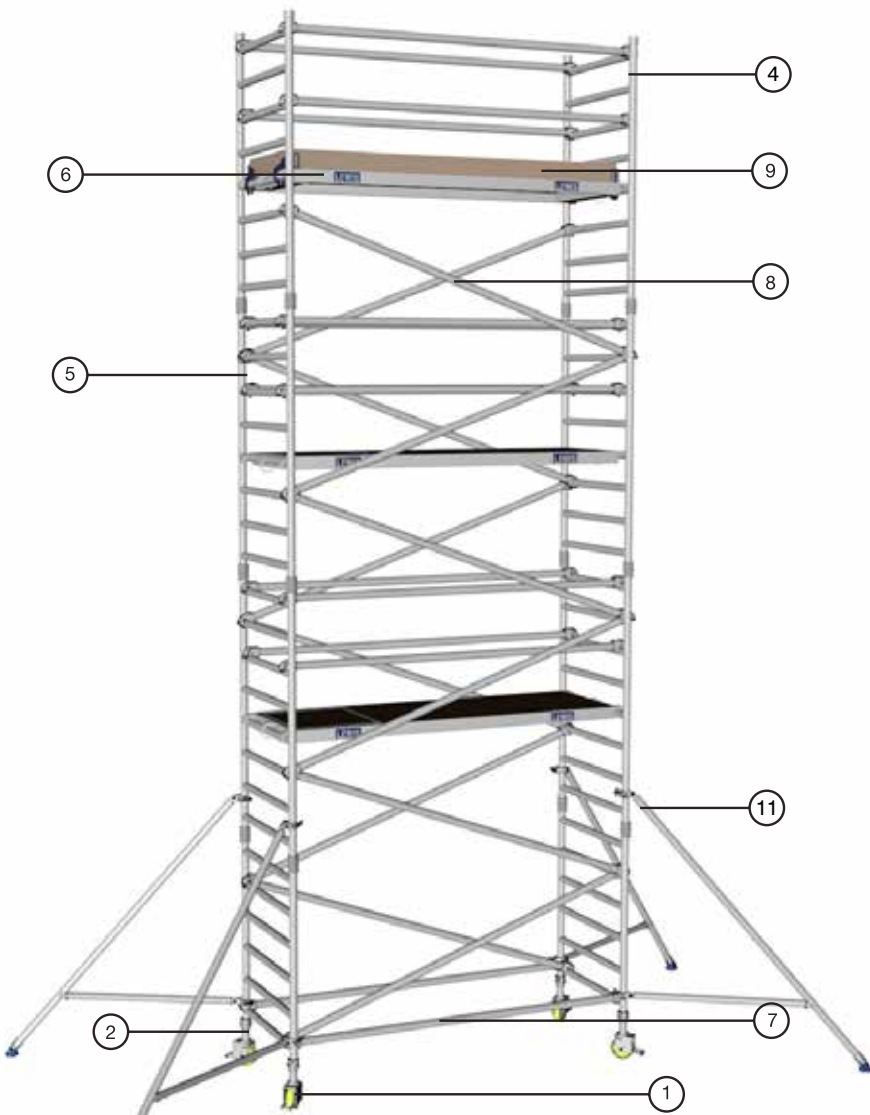
Single Width Tower  
2.5m Long x 0.85m wide

Working Height  
8.7m

Platform Height  
6.7m

### Tower Components

Item	Description	Quantity
1	150mm Locking Castor	4
2	Adjustable Leg 500mm	4
3	4 rung 1m Frame	0
4	6 rung 1.5m Frame	2
5	8 rung 2m Frame	6
6	2.5m Trapdoor Platform	3
7	2.5m Horizontal Brace	14
8	2.7m Diagonal Brace	12
9	Complete Toe Board Set	1
10	Standard Stabilisers	0
11	Jumbo Stabilisers	4
12	Instruction Manual & BSEN1004 certificate of conformity	1



### Technical Information

Base Dimensions:	(L)2.5m X (W)0.85m
Maximum Platform Height (ph):	6.7m
Maximum Working Height (wh):	8.7m
Maximum Working Load Per Platform:	275kg
Maximum Working Load Per Tower: (including tower weight)	950kg
Weight:	240kg

## 250 Industrial Towers

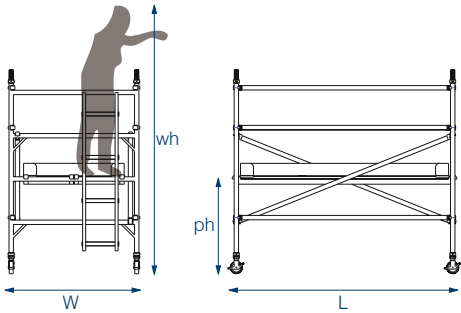
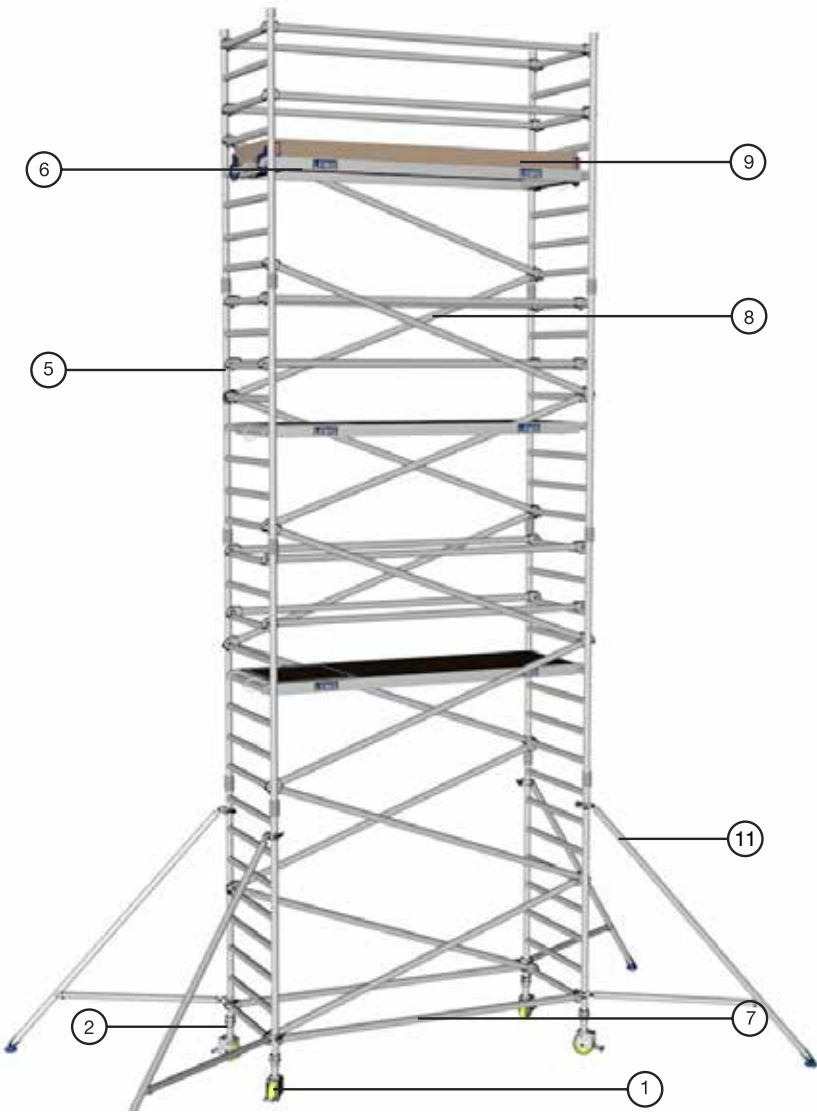
**Single Width Tower**  
2.5m Long x 0.85m wide

**Working Height**  
9.2m

**Platform Height**  
7.2m

### Tower Components

Item	Description	Quantity
1	150mm Locking Castor	4
2	Adjustable Leg 500mm	4
3	4 rung 1m Frame	0
4	6 rung 1.5m Frame	0
5	8 rung 2m Frame	8
6	2.5m Trapdoor Platform	3
7	2.5m Horizontal Brace	14
8	2.7m Diagonal Brace	13
9	Complete Toe Board Set	1
10	Standard Stabilisers	0
11	Jumbo Stabilisers	4
12	Instruction Manual & BSEN1004 certificate of conformity	1



### Technical Information

Base Dimensions:	(L)2.5m X (W)0.85m
Maximum Platform Height (ph):	7.2m
Maximum Working Height (wh):	9.2m
Maximum Working Load Per Platform:	275kg
Maximum Working Load Per Tower: (including tower weight)	950kg
Weight:	278kg



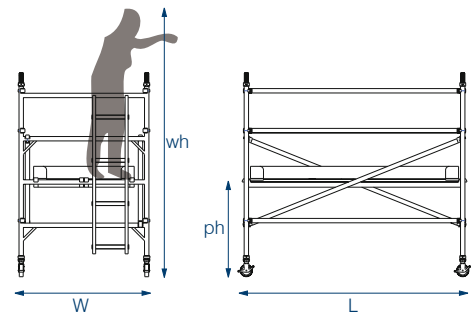
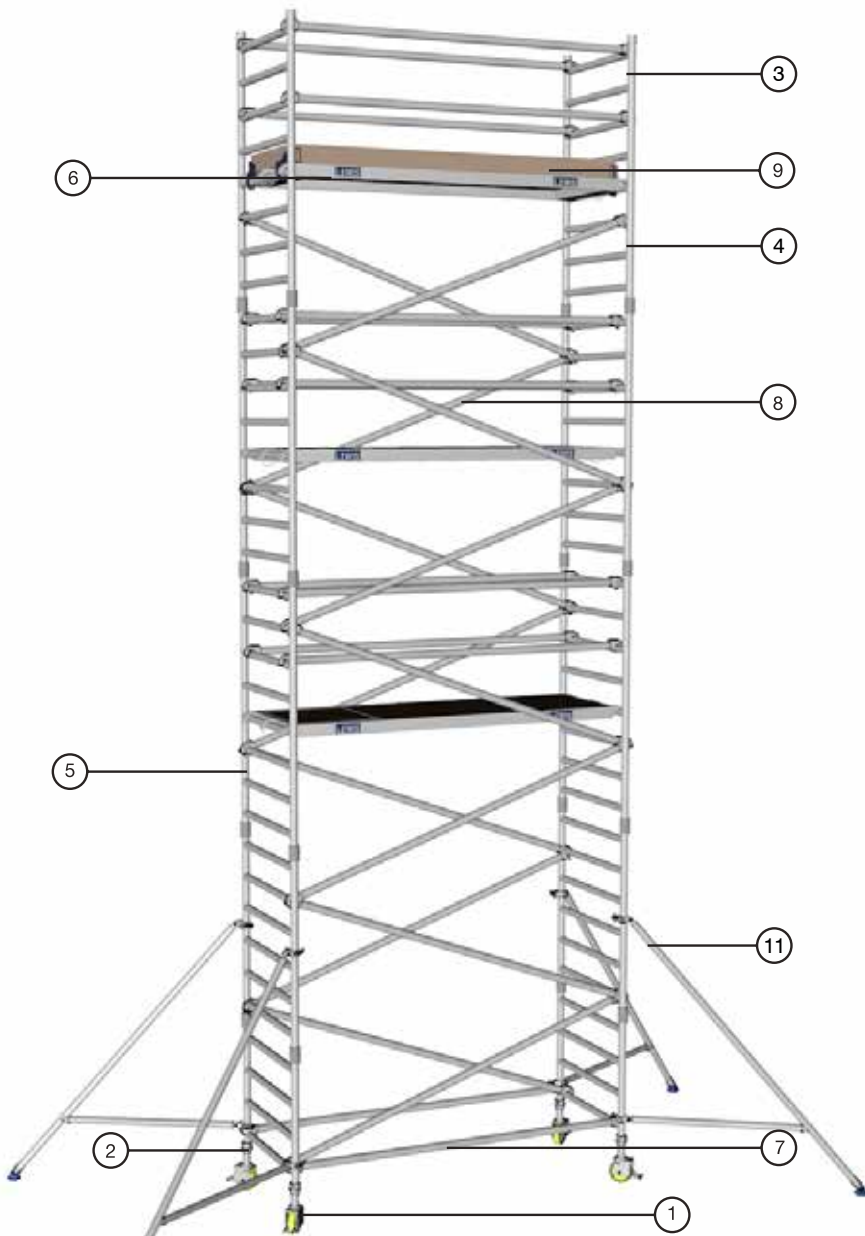
Single Width Tower  
2.5m Long x 0.85m wide

Working Height  
9.7m

Platform Height  
7.7m

### Tower Components

Item	Description	Quantity
1	150mm Locking Castor	4
2	Adjustable Leg 500mm	4
3	4 rung 1m Frame	2
4	6 rung 1.5m Frame	2
5	8 rung 2m Frame	6
6	2.5m Trapdoor Platform	3
7	2.5m Horizontal Brace	14
8	2.7m Diagonal Brace	14
9	Complete Toe Board Set	1
10	Standard Stabilisers	0
11	Jumbo Stabilisers	4
12	Instruction Manual & BSEN1004 certificate of conformity	1



### Technical Information

Base Dimensions:	(L)2.5m X (W)0.85m
Maximum Platform Height (ph):	7.7m
Maximum Working Height (wh):	9.7m
Maximum Working Load Per Platform:	275kg
Maximum Working Load Per Tower: (including tower weight)	950kg
Weight:	313kg

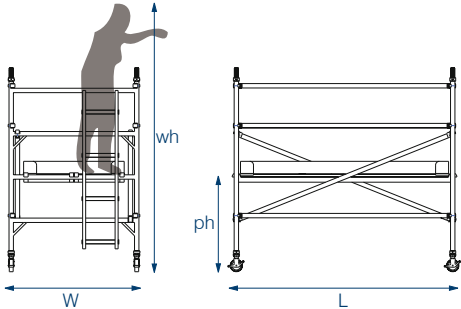
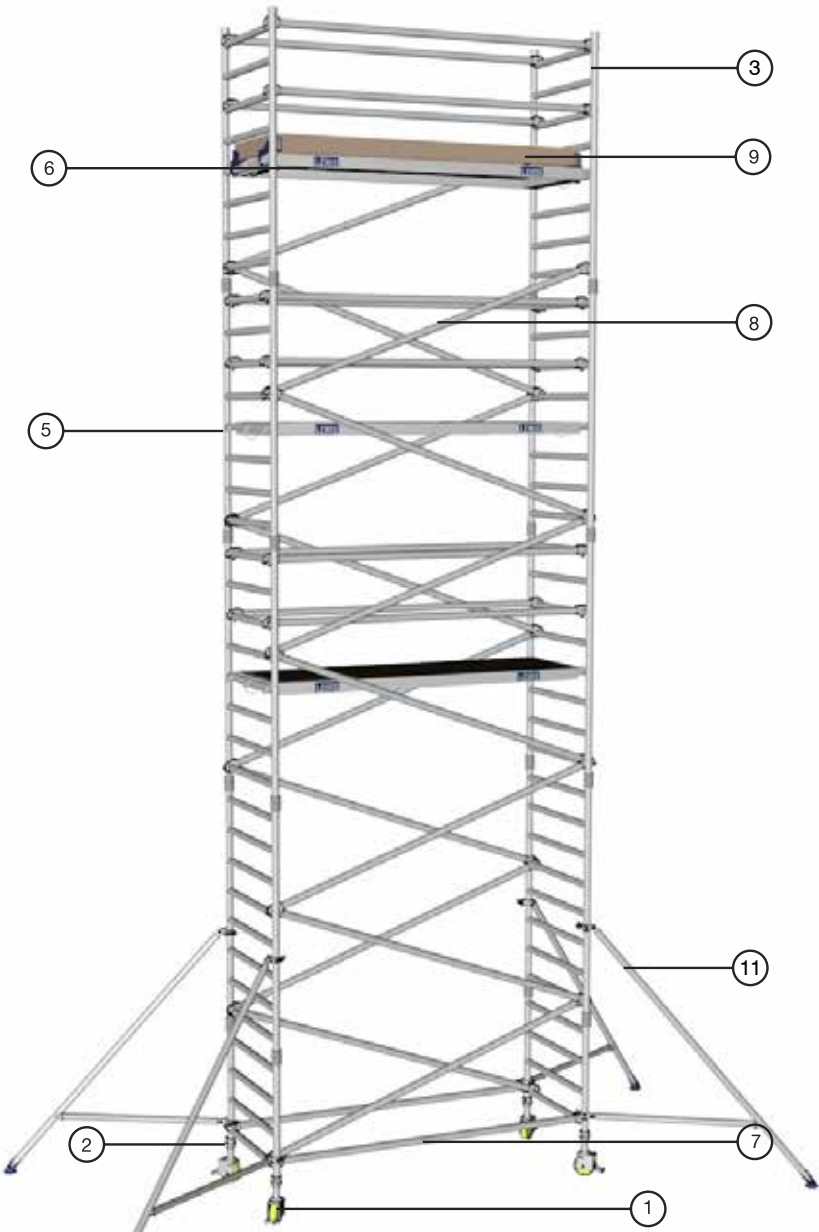
**Single Width Tower**  
2.5m Long x 0.85m wide

**Working Height**  
10.2m

**Platform Height**  
8.2m

### Tower Components

Item	Description	Quantity
1	150mm Locking Castor	4
2	Adjustable Leg 500mm	4
3	4 rung 1m Frame	2
4	6 rung 1.5m Frame	0
5	8 rung 2m Frame	8
6	2.5m Trapdoor Platform	3
7	2.5m Horizontal Brace	14
8	2.7m Diagonal Brace	15
9	Complete Toe Board Set	1
10	Standard Stabilisers	0
11	Jumbo Stabilisers	4
12	Instruction Manual & BSEN1004 certificate of conformity	1



### Technical Information

Base Dimensions:	(L)2.5m X (W)0.85m
Maximum Platform Height (ph):	8.2m
Maximum Working Height (wh):	10.2m
Maximum Working Load Per Platform:	275kg
Maximum Working Load Per Tower: (including tower weight)	950kg
Weight:	342kg

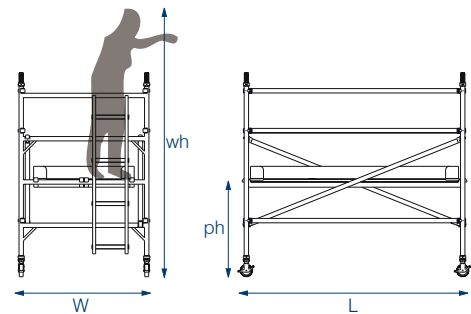
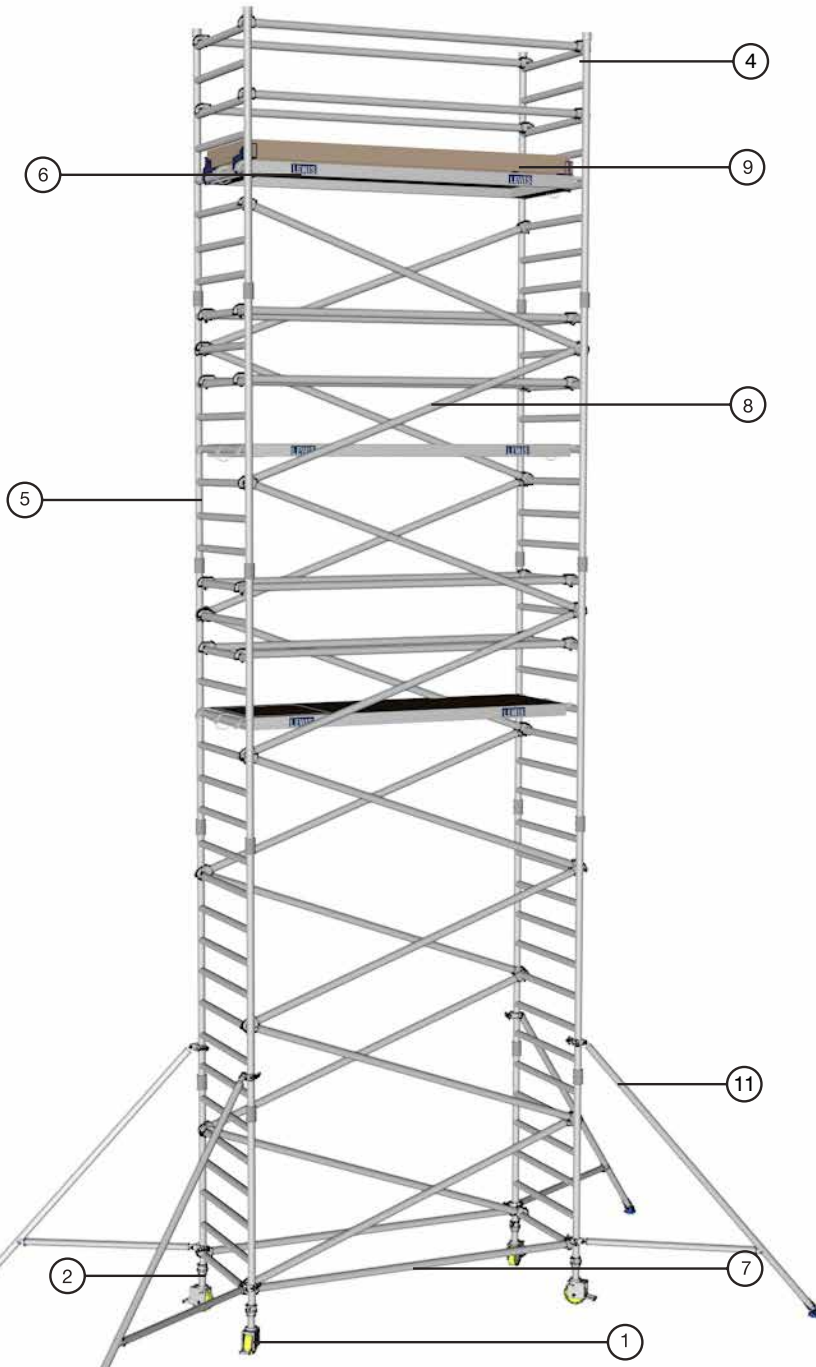
Single Width Tower  
2.5m Long x 0.85m wide

Working Height  
10.7m

Platform Height  
8.7m

### Tower Components

Item	Description	Quantity
1	150mm Locking Castor	4
2	Adjustable Leg 500mm	4
3	4 rung 1m Frame	0
4	6 rung 1.5m Frame	2
5	8 rung 2m Frame	8
6	2.5m Trapdoor Platform	3
7	2.5m Horizontal Brace	14
8	2.7m Diagonal Brace	16
9	Complete Toe Board Set	1
10	Standard Stabilisers	0
11	Jumbo Stabilisers	4
12	Instruction Manual & BSEN1004 certificate of conformity	1



### Technical Information

Base Dimensions:	(L)2.5m X (W)0.85m
Maximum Platform Height (ph):	8.7m
Maximum Working Height (wh):	10.7m
Maximum Working Load Per Platform:	275kg
Maximum Working Load Per Tower: (including tower weight)	950kg
Weight:	304kg

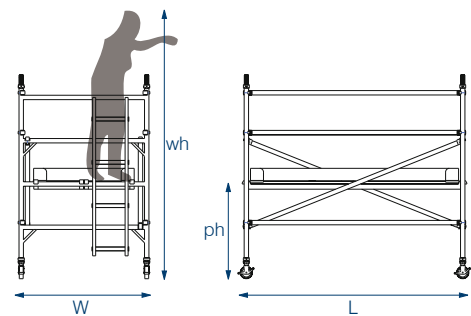
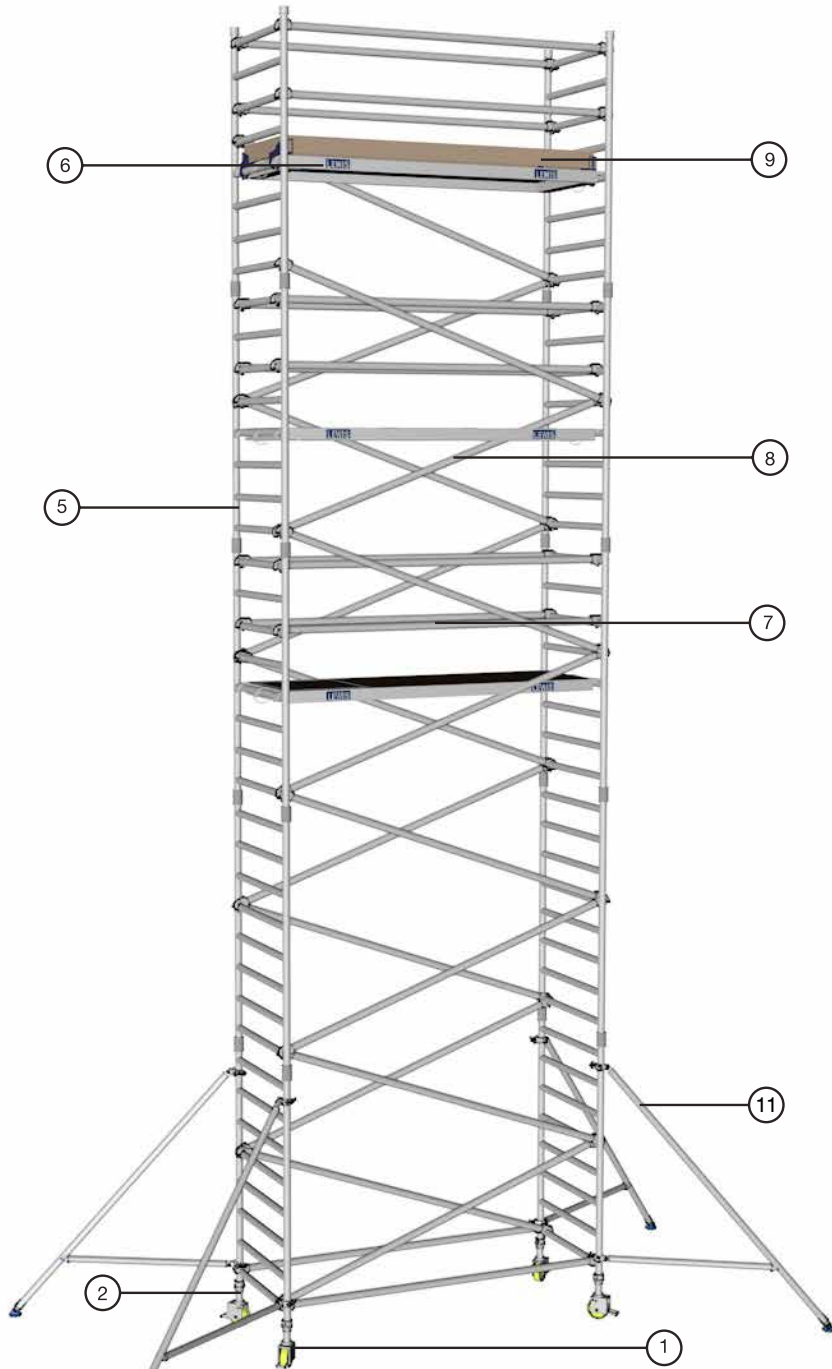
Single Width Tower  
2.5m Long x 0.85m wide

Working Height  
11.2m

Platform Height  
9.2m

### Tower Components

Item	Description	Quantity
1	150mm Locking Castor	4
2	Adjustable Leg 500mm	4
3	4 rung 1m Frame	0
4	6 rung 1.5m Frame	0
5	8 rung 2m Frame	10
6	2.5m Trapdoor Platform	3
7	2.5m Horizontal Brace	14
8	2.7m Diagonal Brace	17
9	Complete Toe Board Set	1
10	Standard Stabilisers	0
11	Jumbo Stabilisers	4
12	Instruction Manual & BSEN1004 certificate of conformity	1



### Technical Information

Base Dimensions:	(L)2.5m X (W)0.85m
Maximum Platform Height (ph):	9.2m
Maximum Working Height (wh):	11.2m
Maximum Working Load Per Platform:	275kg
Maximum Working Load Per Tower: (including tower weight)	950kg
Weight:	312kg



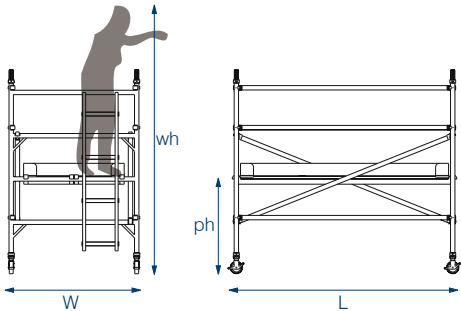
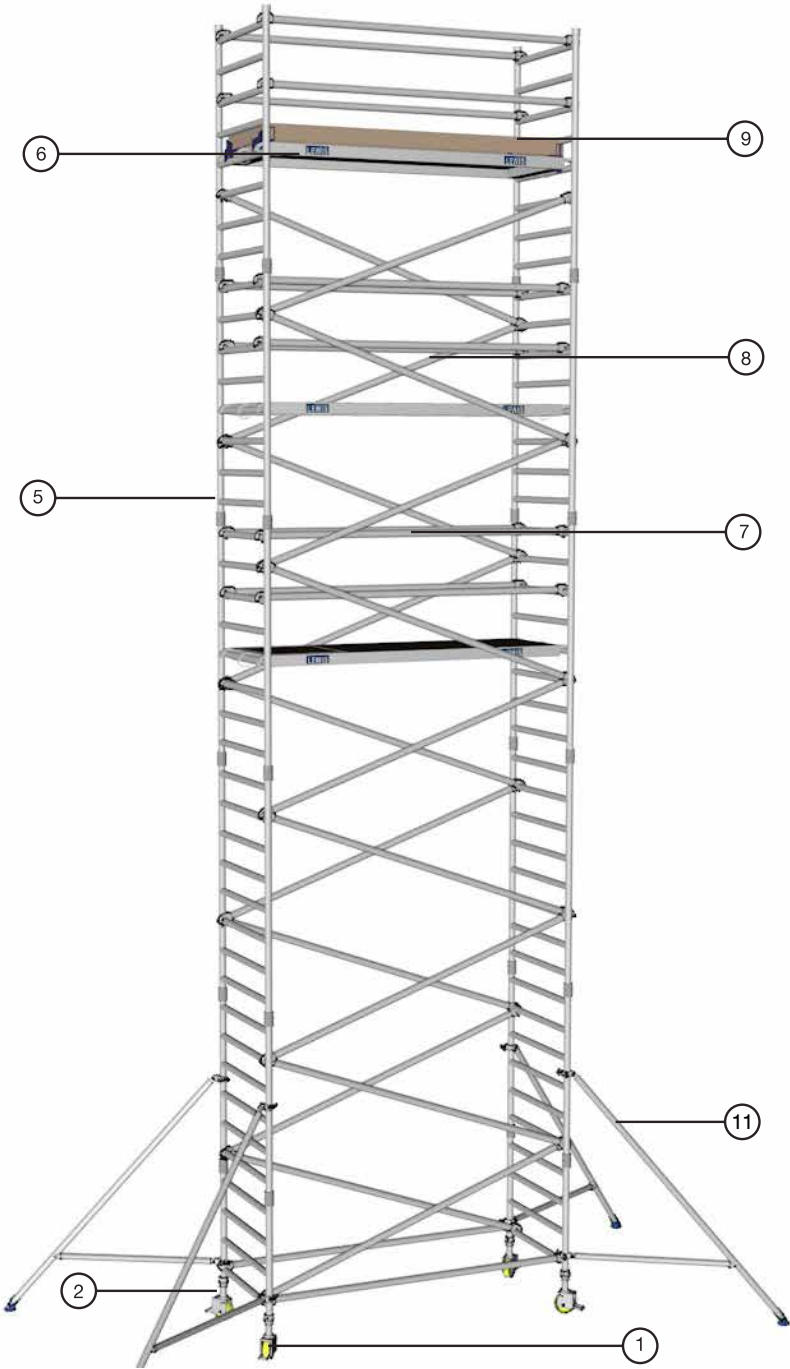
**Single Width Tower**  
2.5m Long x 0.85m wide

**Working Height**  
11.7m

**Platform Height**  
9.7m

### Tower Components

Item	Description	Quantity
1	150mm Locking Castor	4
2	Adjustable Leg 500mm	4
3	4 rung 1m Frame	0
4	6 rung 1.5m Frame	0
5	8 rung 2m Frame	10
6	2.5m Trapdoor Platform	3
7	2.5m Horizontal Brace	14
8	2.7m Diagonal Brace	17
9	Complete Toe Board Set	1
10	Standard Stabilisers	0
11	Jumbo Stabilisers	4
12	Instruction Manual & BSEN1004 certificate of conformity	1



### Technical Information

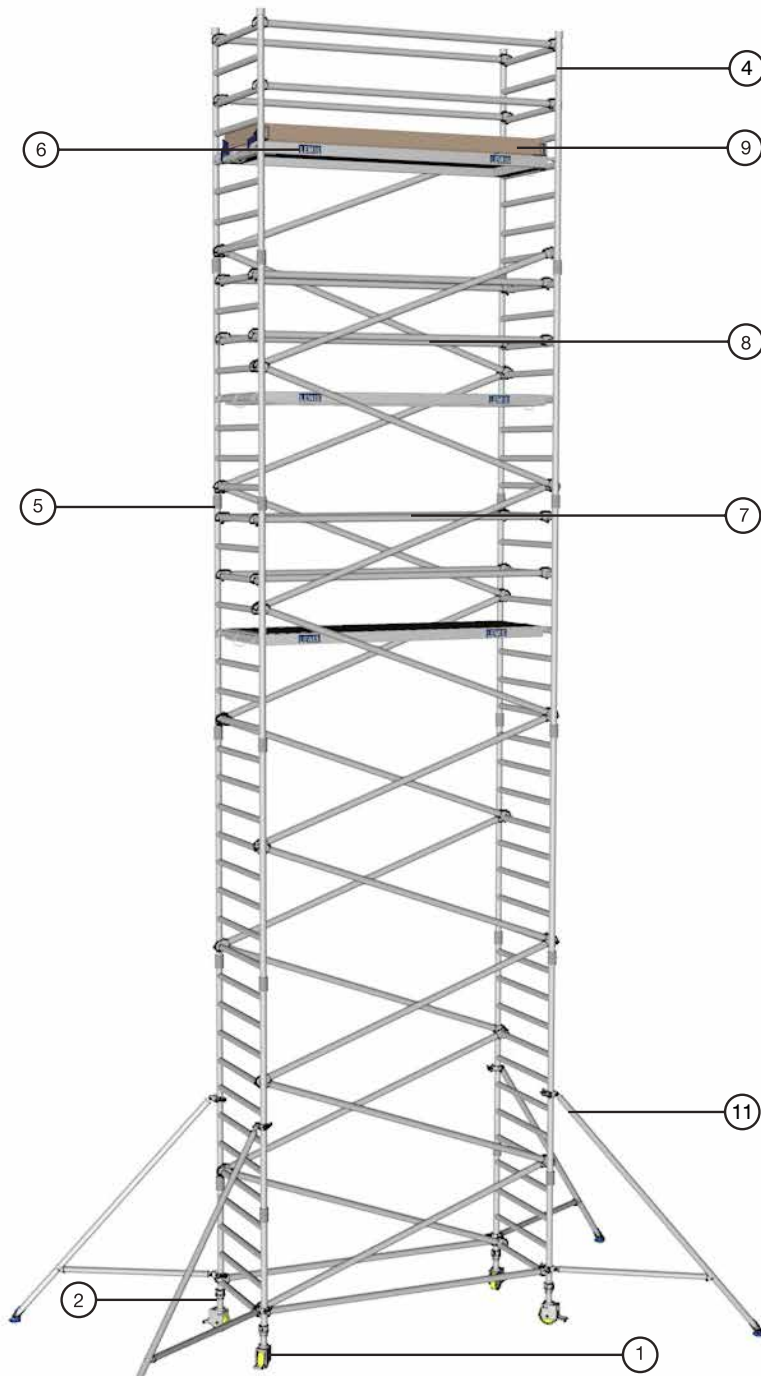
Base Dimensions:	(L)2.5m X (W)0.85m
Maximum Platform Height (ph):	9.7m
Maximum Working Height (wh):	11.7m
Maximum Working Load Per Platform:	275kg
Maximum Working Load Per Tower: (including tower weight)	950kg
Weight:	321kg



Single Width Tower  
2.5m Long x 0.85m wide

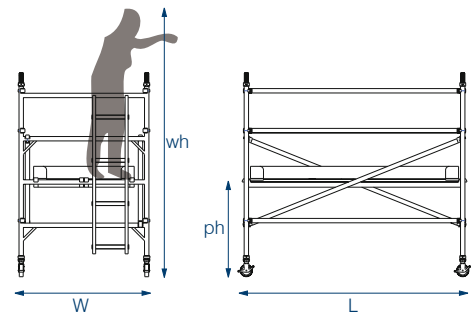
Working Height  
12.2m

Platform Height  
10.2m



### Tower Components

Item	Description	Quantity
1	150mm Locking Castor	4
2	Adjustable Leg 500mm	4
3	4 rung 1m Frame	2
4	6 rung 1.5m Frame	0
5	8 rung 2m Frame	10
6	2.5m Trapdoor Platform	3
7	2.5m Horizontal Brace	14
8	2.7m Diagonal Brace	19
9	Complete Toe Board Set	1
10	Standard Stabilisers	0
11	Jumbo Stabilisers	4
12	Instruction Manual & BSEN1004 certificate of conformity	1



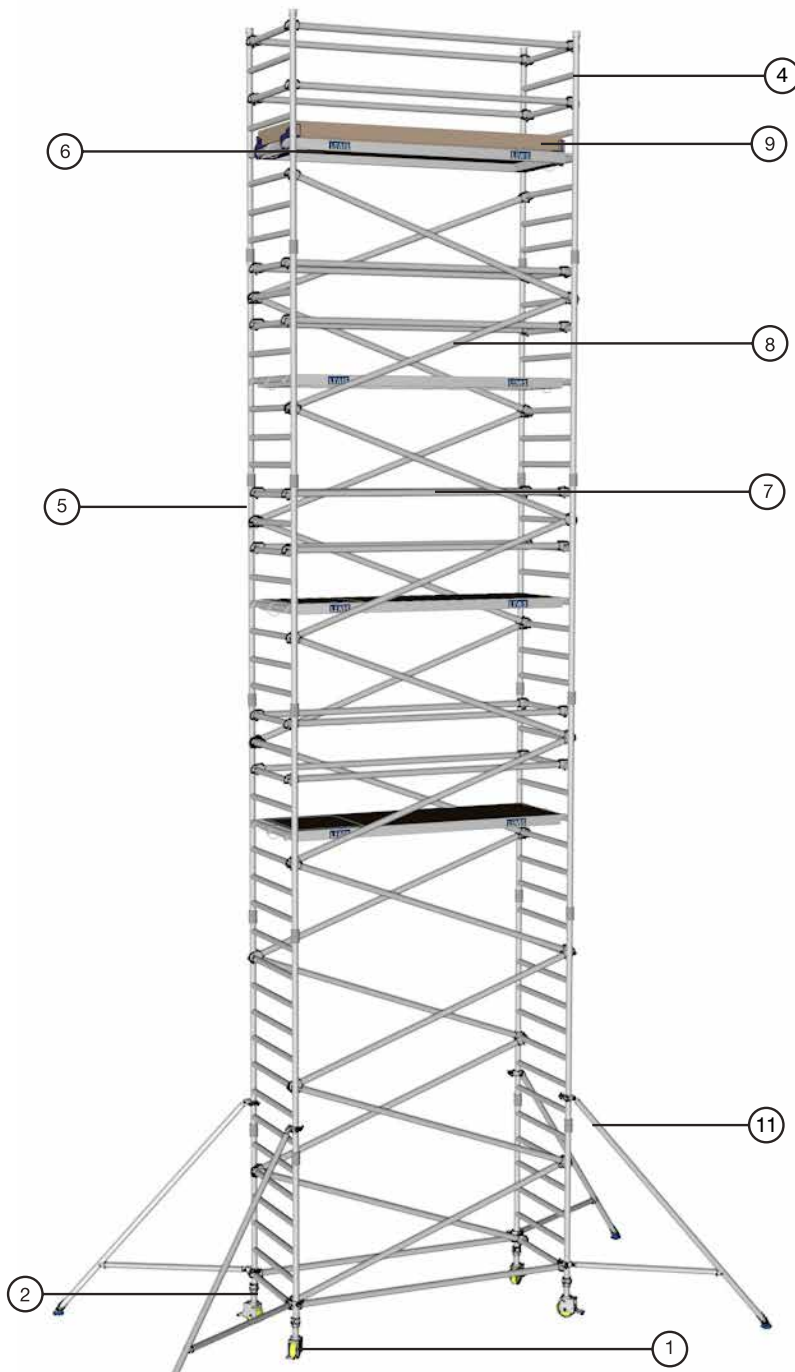
### Technical Information

Base Dimensions:	(L)2.5m X (W)0.85m
Maximum Platform Height (ph):	10.2m
Maximum Working Height (wh):	12.2m
Maximum Working Load Per Platform:	275kg
Maximum Working Load Per Tower: (including tower weight)	950kg
Weight:	326kg

Single Width Tower  
2.5m Long x 0.85m wide

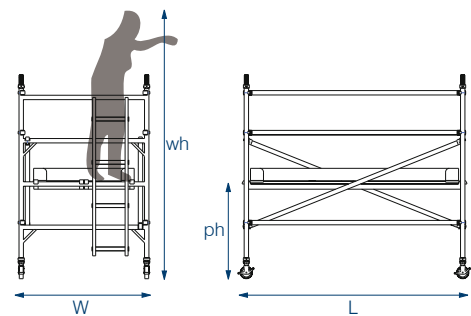
Working Height  
12.7m

Platform Height  
10.7m



### Tower Components

Item	Description	Quantity
1	150mm Locking Castor	4
2	Adjustable Leg 500mm	4
3	4 rung 1m Frame	0
4	6 rung 1.5m Frame	2
5	8 rung 2m Frame	10
6	2.5m Trapdoor Platform	4
7	2.5m Horizontal Brace	18
8	2.7m Diagonal Brace	20
9	Complete Toe Board Set	1
10	Standard Stabilisers	0
11	Jumbo Stabilisers	4
12	Instruction Manual & BSEN1004 certificate of conformity	1



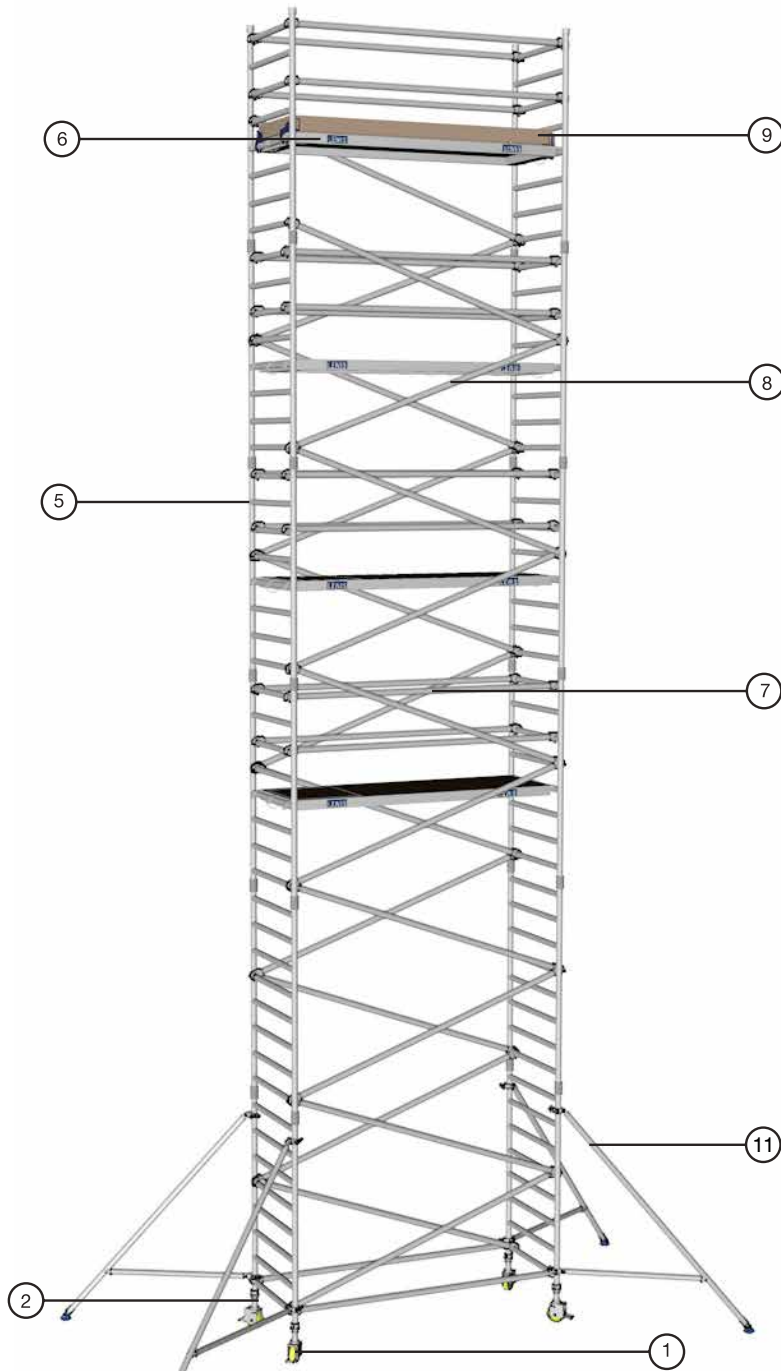
### Technical Information

Base Dimensions:	(L)2.5m X (W)0.85m
Maximum Platform Height (ph):	10.7m
Maximum Working Height (wh):	12.7m
Maximum Working Load Per Platform:	275kg
Maximum Working Load Per Tower: (including tower weight)	950kg
Weight:	366kg

Single Width Tower  
2.5m Long x 0.85m wide

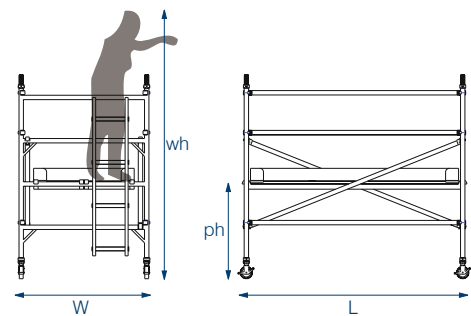
Working Height  
13.2m

Platform Height  
11.2m



### Tower Components

Item	Description	Quantity
1	150mm Locking Castor	4
2	Adjustable Leg 500mm	4
3	4 rung 1m Frame	0
4	6 rung 1.5m Frame	0
5	8 rung 2m Frame	12
6	2.5m Trapdoor Platform	4
7	2.5m Horizontal Brace	18
8	2.7m Diagonal Brace	21
9	Complete Toe Board Set	1
10	Standard Stabilisers	0
11	Jumbo Stabilisers	4
12	Instruction Manual & BSEN1004 certificate of conformity	1



### Technical Information

Base Dimensions:	(L)2.5m X (W)0.85m
Maximum Platform Height (ph):	11.2m
Maximum Working Height (wh):	13.2m
Maximum Working Load Per Platform:	275kg
Maximum Working Load Per Tower: (including tower weight)	950kg
Weight:	374kg

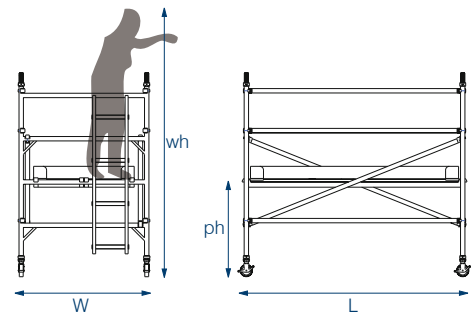
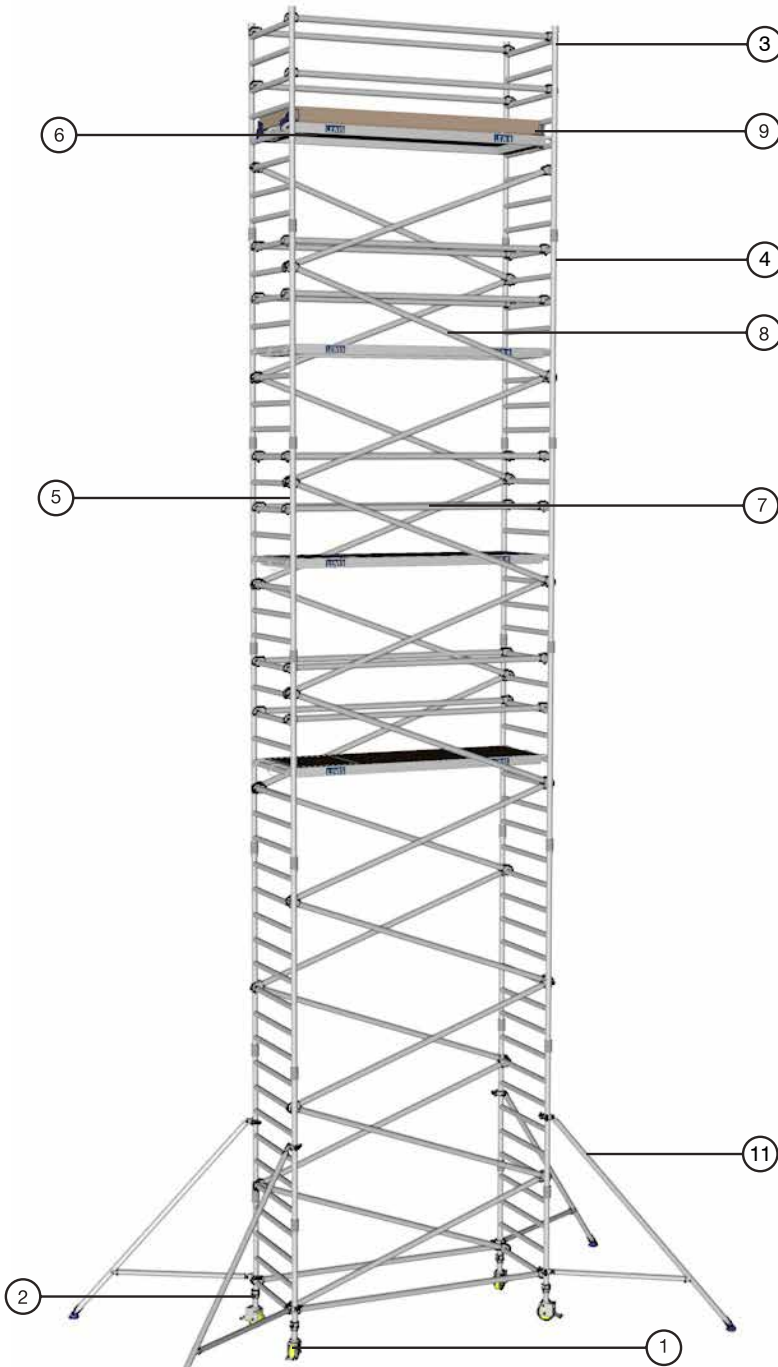
Single Width Tower  
2.5m Long x 0.85m wide

Working Height  
13.7m

Platform Height  
11.7m

### Tower Components

Item	Description	Quantity
1	150mm Locking Castor	4
2	Adjustable Leg 500mm	4
3	4 rung 1m Frame	2
4	6 rung 1.5m Frame	2
5	8 rung 2m Frame	10
6	2.5m Trapdoor Platform	4
7	2.5m Horizontal Brace	18
8	2.7m Diagonal Brace	22
9	Complete Toe Board Set	1
10	Standard Stabilisers	0
11	Jumbo Stabilisers	4
12	Instruction Manual & BSEN1004 certificate of conformity	1



### Technical Information

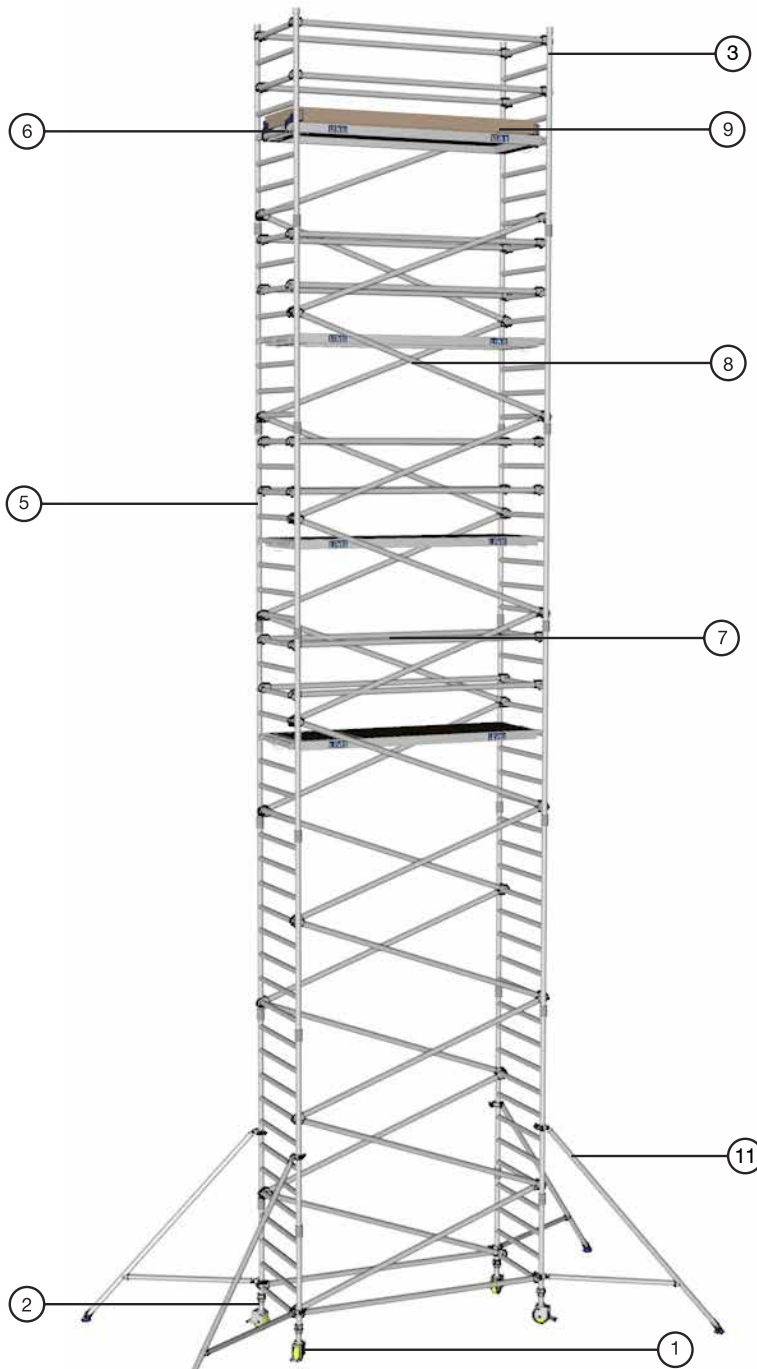
Base Dimensions:	(L)2.5m X (W)0.85m
Maximum Platform Height (ph):	11.7m
Maximum Working Height (wh):	13.7m
Maximum Working Load Per Platform:	275kg
Maximum Working Load Per Tower: (including tower weight)	950kg
Weight:	381kg



Single Width Tower  
2.5m Long x 0.85m wide

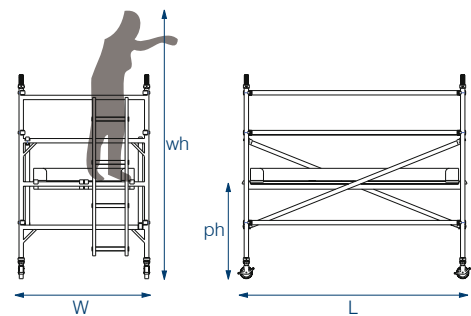
Working Height  
14.2m

Platform Height  
12.2m



### Tower Components

Item	Description	Quantity
1	150mm Locking Castor	4
2	Adjustable Leg 500mm	4
3	4 rung 1m Frame	2
4	6 rung 1.5m Frame	0
5	8 rung 2m Frame	12
6	2.5m Trapdoor Platform	4
7	2.5m Horizontal Brace	18
8	2.7m Diagonal Brace	23
9	Complete Toe Board Set	1
10	Standard Stabilisers	0
11	Jumbo Stabilisers	4
12	Instruction Manual & BSEN1004 certificate of conformity	1



### Technical Information

Base Dimensions:	(L)2.5m X (W)0.85m
Maximum Platform Height (ph):	12.2m
Maximum Working Height (wh):	14.2m
Maximum Working Load Per Platform:	275kg
Maximum Working Load Per Tower: (including tower weight)	950kg
Weight:	388kg